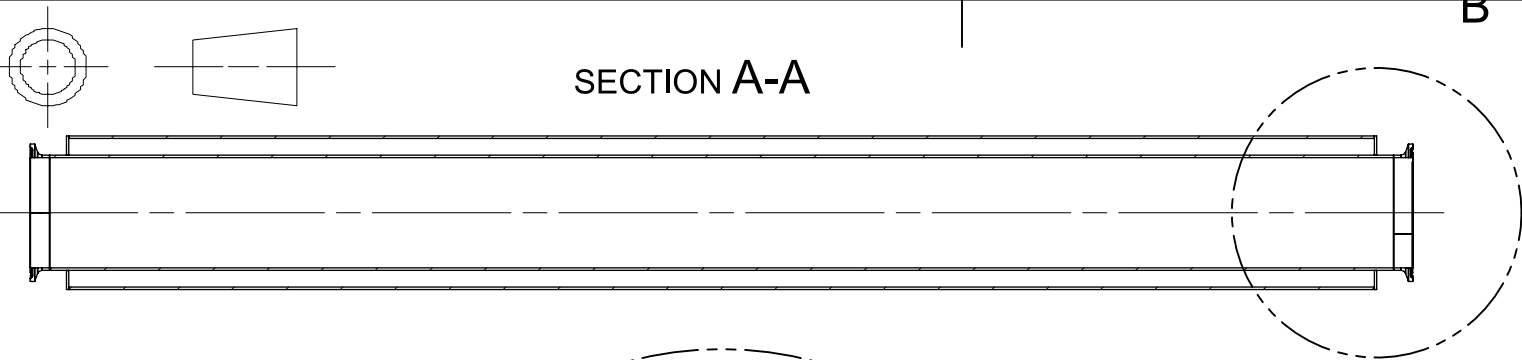
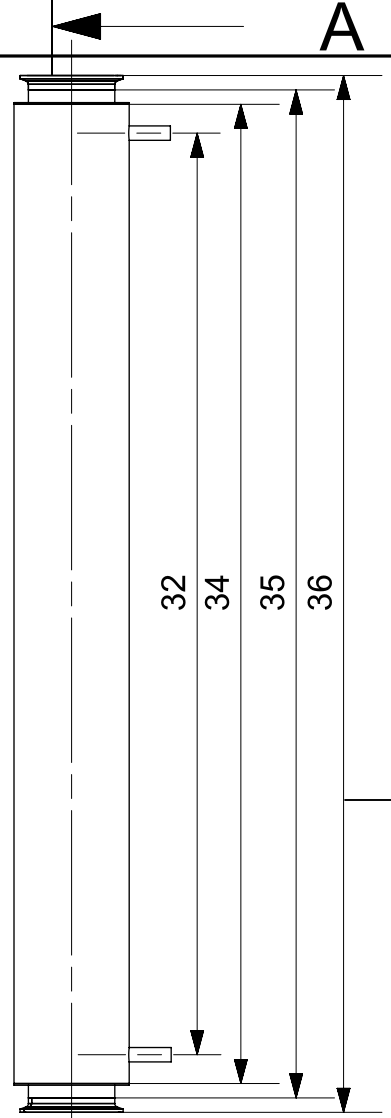
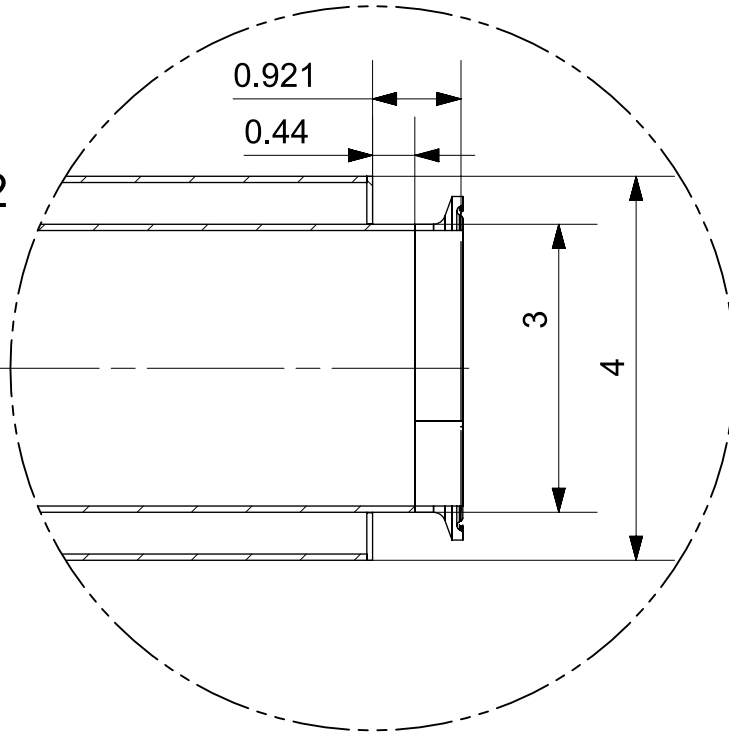


SECTION A-A



DETAIL B  
SCALE 1:2



**SIEMENS**

THIS DRAWING HAS BEEN PRODUCED USING AN EXAMPLE  
TEMPLATE PROVIDED BY SIEMENS PLM SOFTWARE

FIRST ISSUED	7-11-2015
DRAWN BY	VKH
CHECKED BY	
APPROVED BY	

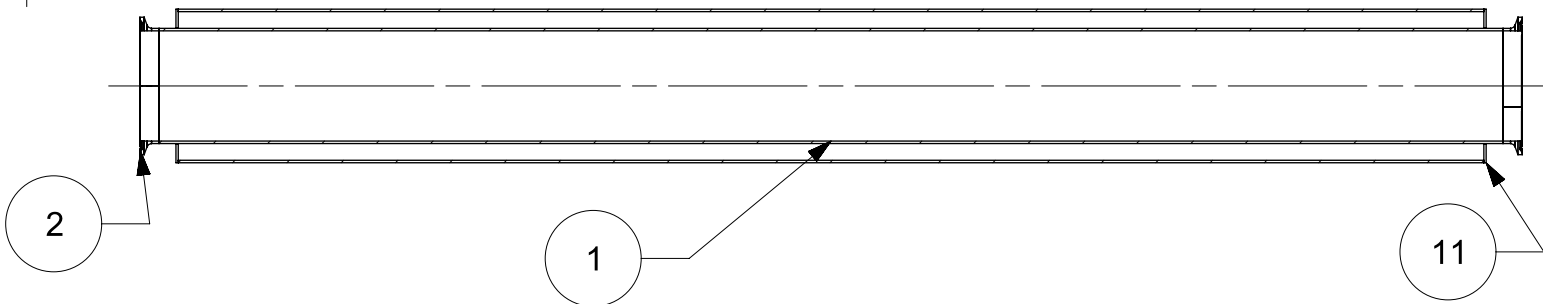
TITLE		
36in x 3in Dia CO2 Sleeve AC0004		
SIZE	DRG NO.	SHEET REV
A	36in_CO2_Sleeve_Assembly_AC0004	A

ALL DIMENSIONS IN INCHES

SCALE 0.2:1

SHEET 1 OF 4

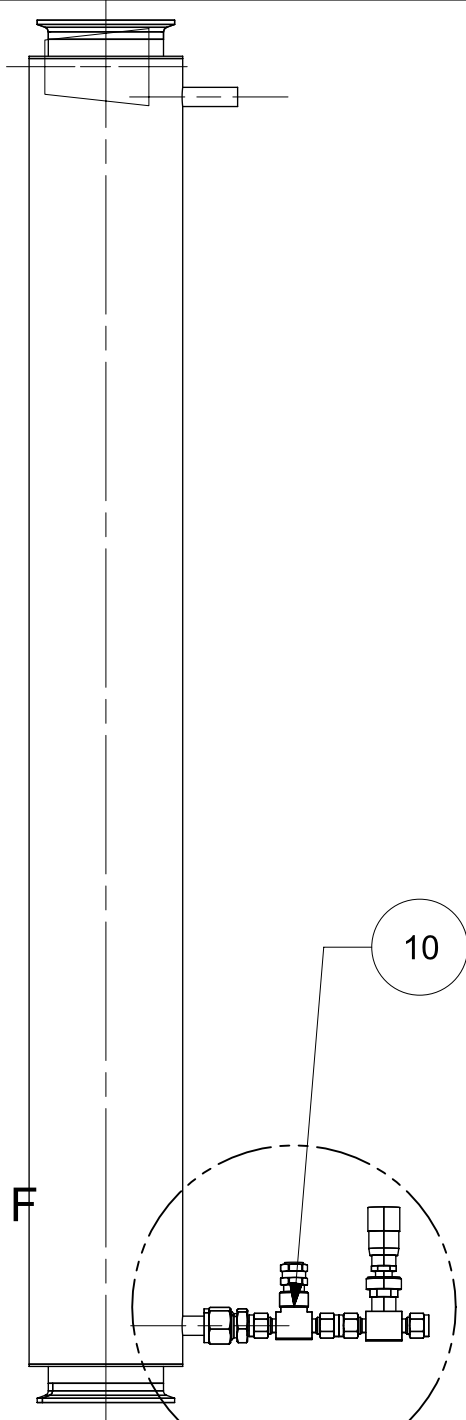
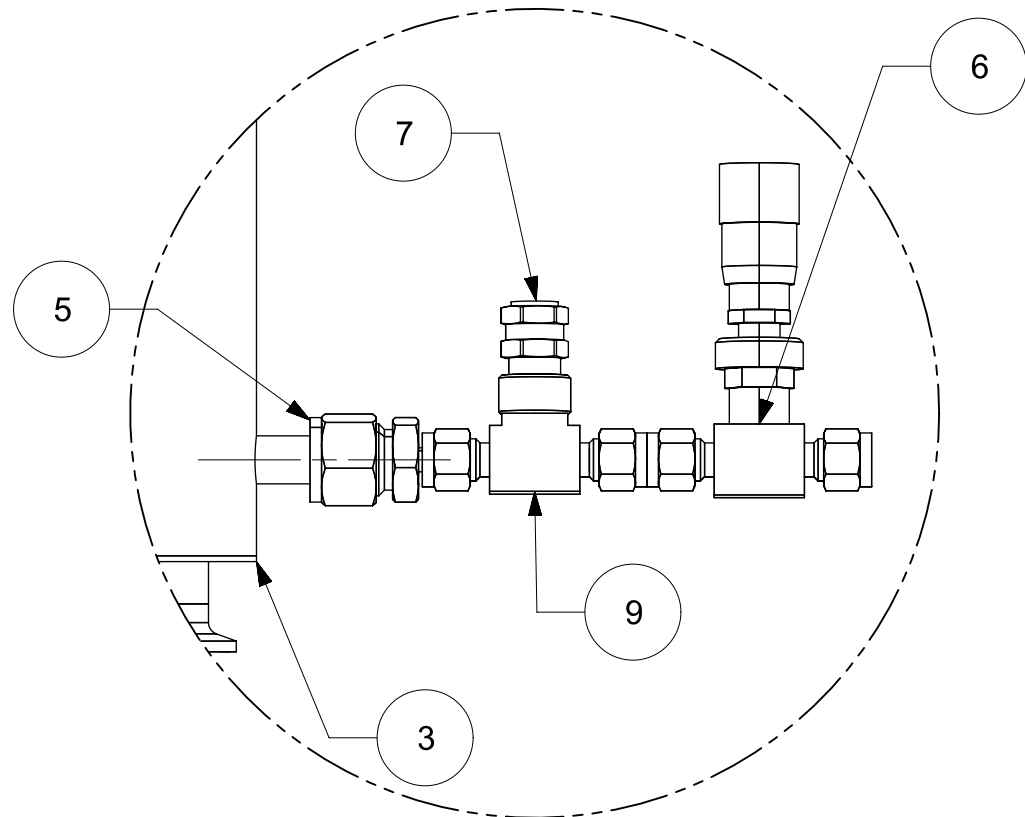
SECTION D-D



11	3IN-4IN_SLEEVE_CLOSURE	2
10	CO2_INJECTION_FITTING_ASSEM	1
9	SS_400_3_4TTF	1
8	SS_401_PC	1
7	VRV-250SS-T-30	1
6	SS_4L_MH	1
5	SS_810_R_4	1
4	0-5IN_DIA_1-5IN_0-065IN_W_PIPE_MCMASTER_89995K358	2
3	OUTER_SLEEVE_4IN_DIA	1
2	4322K215_3IN_FERRULE_IGS	2
1	35IN_MATERIAL_TUBE	1
PC NO	PART NAME	QTY

		THIS DRAWING HAS BEEN PRODUCED USING AN EXAMPLE TEMPLATE PROVIDED BY SIEMENS PLM SOFTWARE		
		TITLE		
FIRST ISSUED	7-11-2015	36in x 3in Dia CO2 Sleeve AC0004 SIZE A    DRG NO. 36in_CO2_Sleeve_Assembly_AC0004    SHEET REV A		
DRAWN BY	VKH			
CHECKED BY				
APPROVED BY				
ALL DIMENSIONS IN INCHES		SCALE 0.2:1	SHEET 2 OF 4	

DETAIL F  
SCALE 1:2



ALL DIMENSIONS IN INCHES

		THIS DRAWING HAS BEEN PRODUCED USING AN EXAMPLE TEMPLATE PROVIDED BY SIEMENS PLM SOFTWARE		
		TITLE		
FIRST ISSUED	7-11-2015	36in x 3in Dia CO2 Sleeve AC0004		
DRAWN BY	VKH			
CHECKED BY				
APPROVED BY		SIZE	DRG NO.	SHEET REV
		A	36in_CO2_Sleeve_Assembly_AC0004	A
		SCALE 0.2:1	SHEET 3 OF 4	