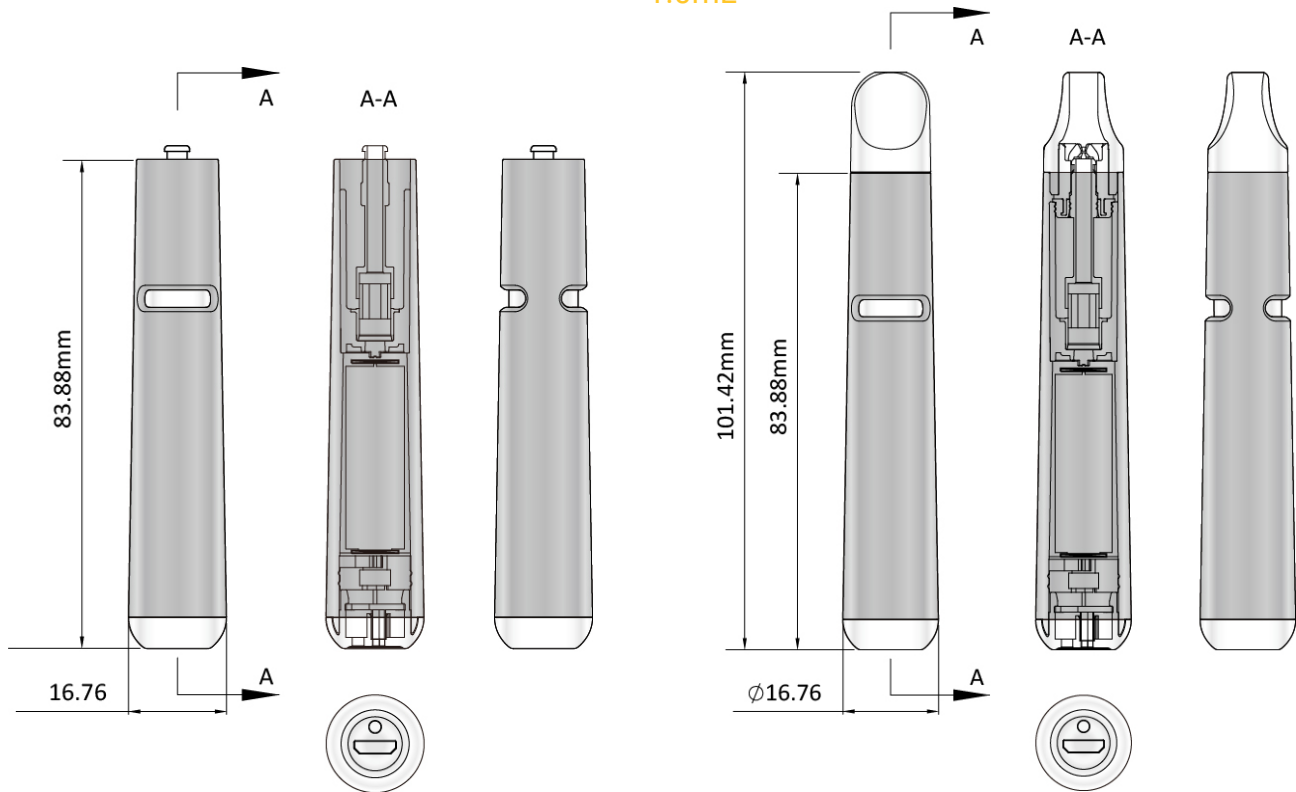


# Technical Specification Sheet



Urth2 Disposable – 1.0ml		VER:	1.0
DOCUMENT NO:	DOC-UTD2-01	DATE:	15-FEB-2023
AVEO® SKU:	UTD2	PAGE 1 OF 3	

## Urth2 Disposable 1.0mL



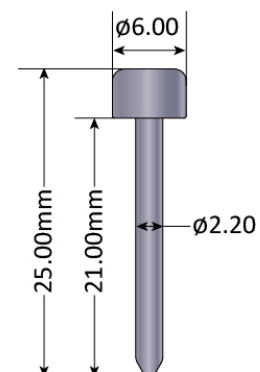
### Description:

Top fill disposable vaporizer cartridge system. Patented low force, tamper-proof, easy snap-on locking and removable mouthpiece system. No arbor press required, high quality hemp based shell. Micro USB charge port to ensure full battery charge.

### Features:

- » AVEO® Technology Atomizer
- » Locking press-fit and patented unlocking mouthpiece
- » Top loading, compatible with most filling machines
- » Capable for mass filling and mass capping
- » Hand-press mass capping jig available
- » Tamper-proof
- » Eco-Friendly Hemp based shell
- » Micro-USB Charge Port
- » 1.7mm aperture for various oil viscosities
- » 1.0mL capacity
- » Window compatible with 0.3ml, 0.5ml and 1ml oil
- » Opening space allows down to 15 gauge needle ( $\Phi 1.65\text{mm}$ )

### Unlocking Pin



### Unlocking pin requirements:

Diameter: 2.2mm, the pin should not go deeper than 21mm.

# Technical Specification Sheet



<b>Urth2 Disposable – 1.0ml</b>		<b>VER:</b>	1.0
<b>DOCUMENT NO:</b>	DOC-UTD2-01	<b>DATE:</b>	15-FEB-2023
<b>AVEO® SKU:</b>	UTD2		PAGE 2 OF 3

## Specifications

<b>Capacity</b>	1.0 mL
<b>Gross volume</b>	1.05 mL
<b>Max. fill volume</b>	1.0 mL
<b>Weight, empty</b>	18.5 ± 0.1 g

<b>Power (± 0.5W)</b>	Standard power is 7W	
<b>Fluid Inlet Diameter (± 0.5mm)</b>	1.7mm	
<b>Fluid Inlet qty</b>	4 inlet holes	
<b>Viscosity Range</b>	1,000-110,000cps depending on aperture and configuration	
<b>Materials</b>	Coil Head, Anode	Plated Lead-free Brass
	Battery Shell	Hemp PP
	Heating Core	FeCrAl, Ceramic
	Seals	Eco-friendly Silicone
	Mouthpiece (multiple materials available)	Hemp PP

# Technical Specification Sheet



<b>Urth2 Disposable – 1.0ml</b>		<b>VER:</b>	3.0
<b>DOCUMENT NO:</b>	DOC-UTD2-01	<b>DATE:</b>	15-FEB-2023
<b>AVEO® SKU:</b>	UTD2	PAGE 3 OF 3	

Electrical Specifications and Activation	
<b>Battery Cell Capacity</b>	220 mAh
<b>Output Voltage</b>	3.2V ± 0.1V
<b>Power Input</b>	5V 1A
<b>Resistance</b>	1.4 - 1.5 Ω
<b>Max Charge Current</b>	220 mA
<b>Activation</b>	Draw Activated
<b>Activation Time</b>	0 - 10 seconds

Features and Indications	
<b>Cartridge Attachment</b>	Built-in, all-in-one
<b>Notification</b>	LED
<b>Low Battery Notification</b>	LED blinks 10 times
<b>Charging (CD model only)</b>	Micro-USB type B
<b>LED Light Indication</b>	LED steady on during charging; LED turns off when fully charged. LED blinks 3 times after disconnecting the charging cable. No LED signal when plugged with full charge.

Safety Features	
<b>Short-circuit Protection</b>	Device will not activate when load is less than 1.0 Ω, The LED will light 2 seconds. Device resets after draw is finished.
<b>Li-ion Battery</b>	Cells meet the requirements for Li-ion batteries.
<b>Over use Protection</b>	Device deactivates after a 10 second draw activation. The LED light will blink 2 times. Device resets after draw is finished.
<b>Cell Containment</b>	Battery cell is enclosed within the metal housing which is not accessible to the user without permanent damage to the unit. The housing protects the cell from damage during use and transportation.
<b>Overcharge Protection</b>	Connect the device to any active USB port with a standard micro-USB type B cable. LED light steady on during charging; LED turns off when fully charged. Overcharge protection is contained within the device.

Caution: Fast charger output voltage higher than 5V may damage the battery