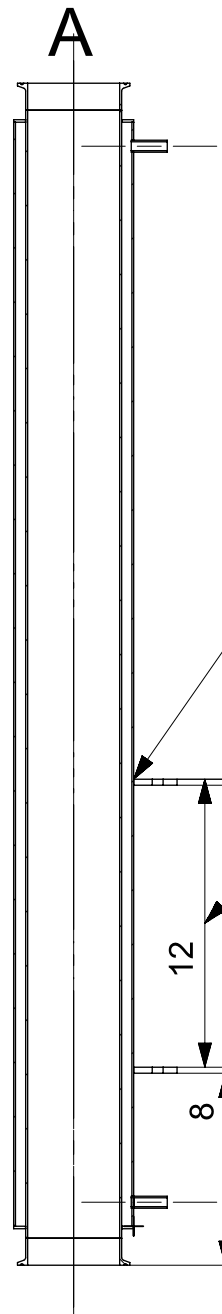
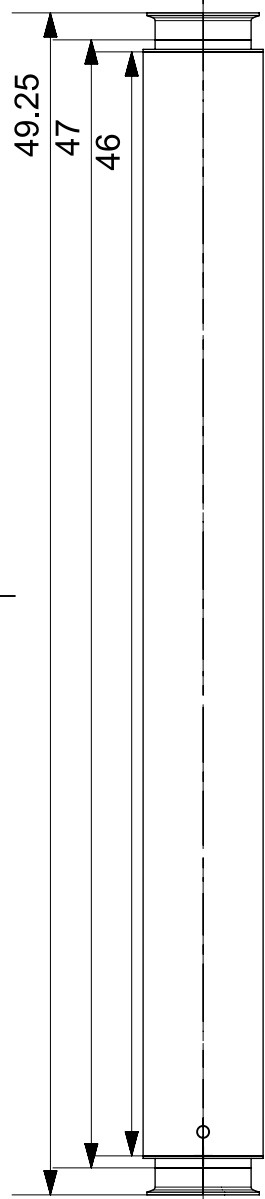
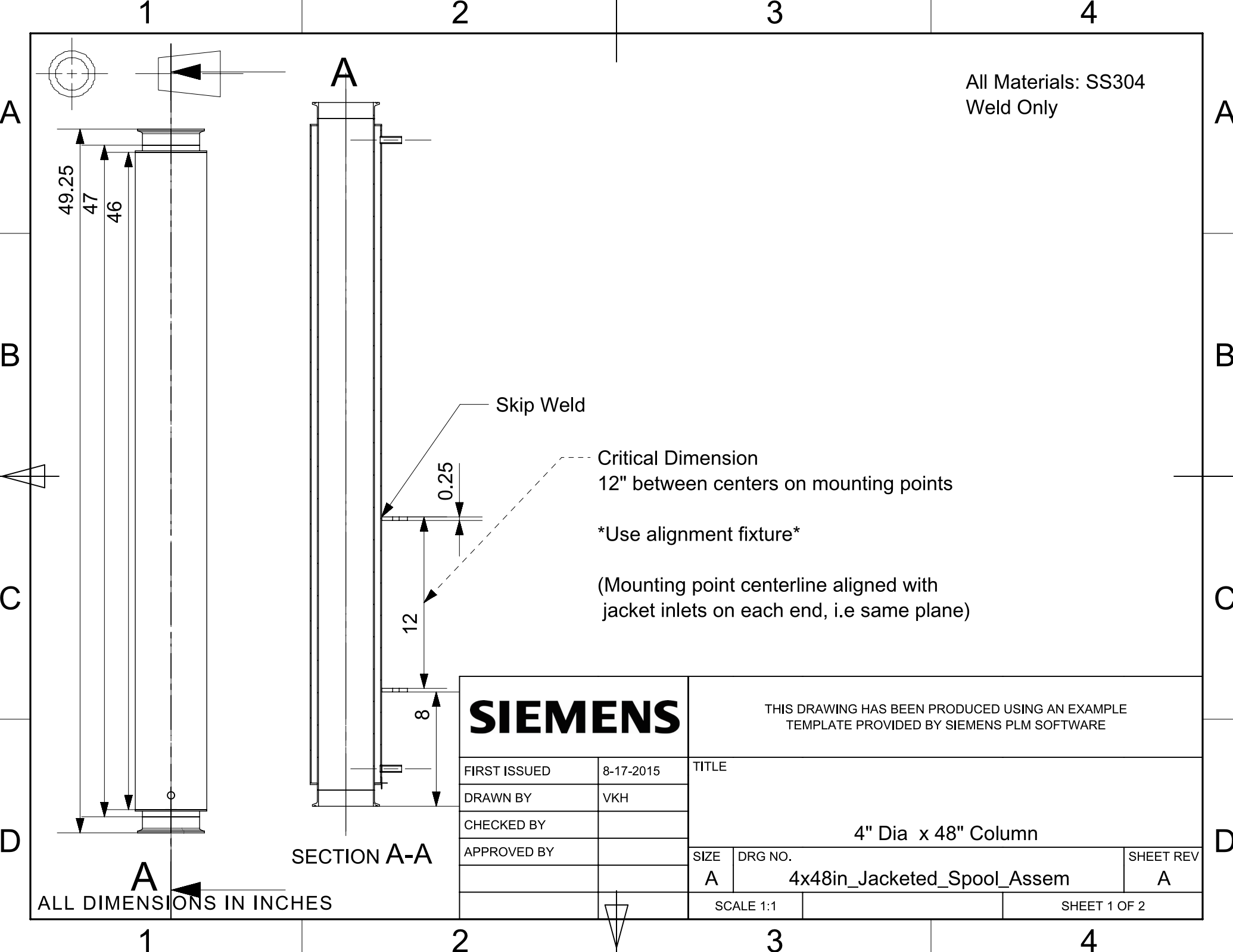


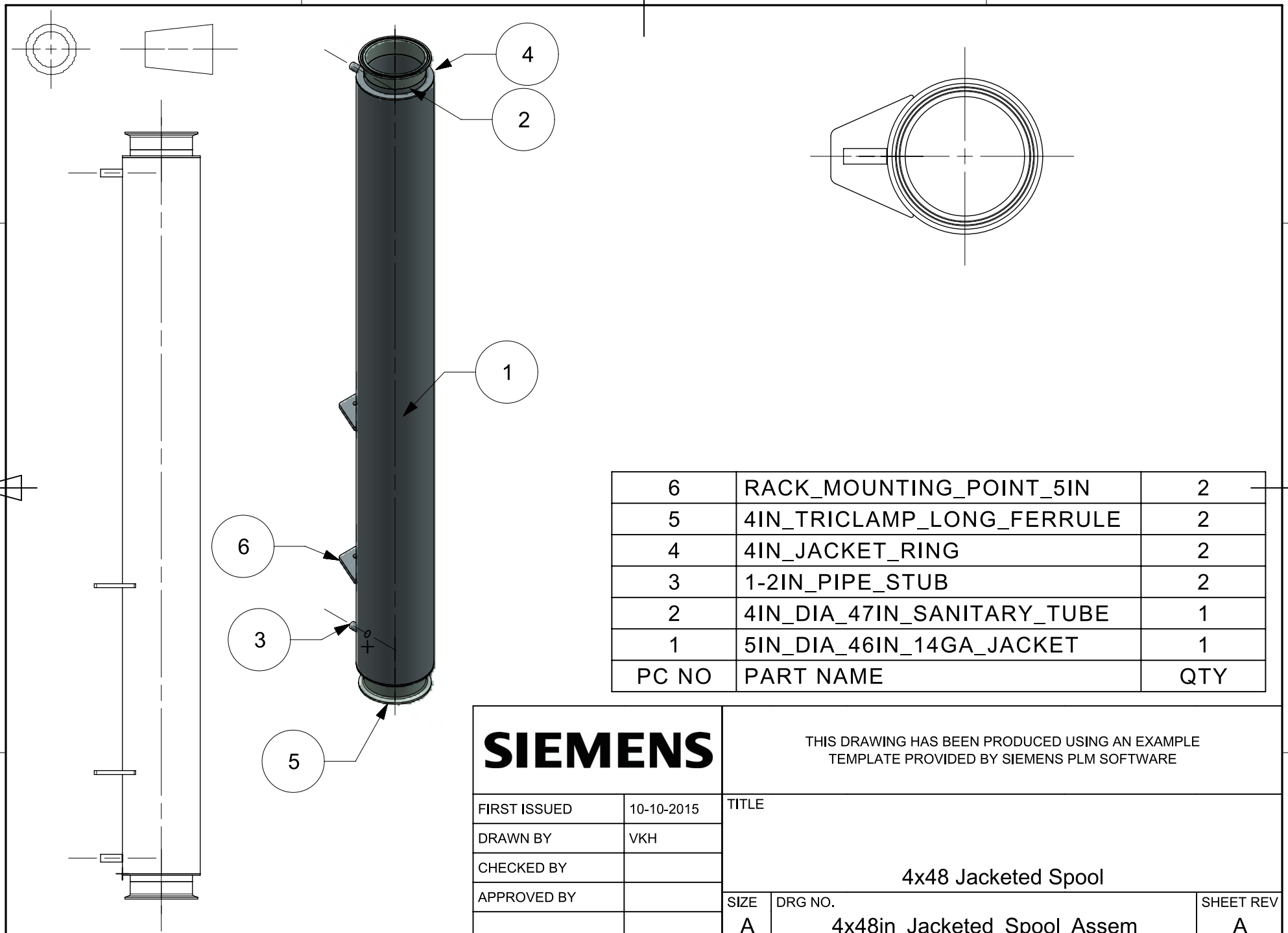
All Materials: SS304
Weld Only



SIEMENS		THIS DRAWING HAS BEEN PRODUCED USING AN EXAMPLE TEMPLATE PROVIDED BY SIEMENS PLM SOFTWARE		
		TITLE		
FIRST ISSUED	8-17-2015	4" Dia x 48" Column		
DRAWN BY	VKH			
CHECKED BY				
APPROVED BY				
		SIZE	DRG NO.	SHEET REV
		A	4x48in_Jacketed_Spool_Assem	A
		SCALE 1:1	SHEET 1 OF 2	

ALL DIMENSIONS IN INCHES





6	RACK_MOUNTING_POINT_5IN	2
5	4IN_TRICLAMP_LONG_FERRULE	2
4	4IN_JACKET_RING	2
3	1-2IN_PIPE_STUB	2
2	4IN_DIA_47IN_SANITARY_TUBE	1
1	5IN_DIA_46IN_14GA_JACKET	1
PC NO	PART NAME	QTY

<h1>SIEMENS</h1>		THIS DRAWING HAS BEEN PRODUCED USING AN EXAMPLE TEMPLATE PROVIDED BY SIEMENS PLM SOFTWARE		
		TITLE		
FIRST ISSUED	10-10-2015	SIZE DRG NO. SHEET REV A 4x48in_Jacketed_Spool_Assem A		
DRAWN BY	VKH			
CHECKED BY				
APPROVED BY				
		SCALE 1:1	SHEET 2 OF 2	

ALL DIMENSIONS IN INCHES