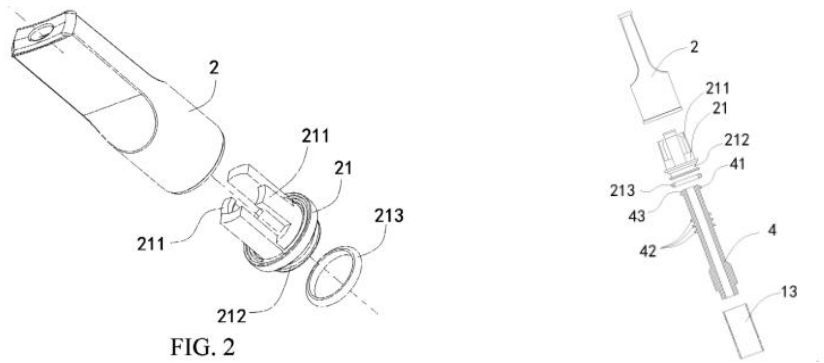


Statement on Patent Infringement and Rights Protection

Shenzhen Buddy Technology Development Co., Ltd. (hereinafter referred to as "Buddy") has a US patent and A Chinese patent (hereinafter referred to as "**Locking Patent**") entitled "a plug-in locking system mouthpiece, e-cigarette cartridge and e-cigarette", the patent number is US9999254 B2, ZL201621129802.3 respectively.



The present invention has a mouthpiece plug-in lock structure, capable of rapidly sealing and locking the open tank by means of the mouthpiece, and has advantages of being convenient and easy to mount and having a simple structure.

Recently, it was found that some entities or individuals unauthorized use Buddy's locking patent to manufacture products without Buddy's consent or authorization, and through a variety of channels to promote and sell, seriously violated the legitimate rights and interests of Buddy, disrupted the normal market order, destroyed the market environment of healthy competition.

Here, Buddy makes a statement:

1. Please respect intellectual property rights and stop all infringement activities. If you need this patented product, please contact Buddy to purchase legal products;
2. Buddy will take legal measures to pursue the economic and legal liabilities of entities or individuals who continue to infringe on Buddy's patents to protect the legitimate rights and interests of Buddy.

Hereby declare!

Shenzhen Buddy Technology Development Co., Ltd.

Contact: Rider Email: Rider@buddyvape.com