

# Spray dryer

## Small experimental mini spray dryer

Mainly suitable for universities, research institutes and food Pharmaceutical and chemical enterprise laboratories produce trace particle powders with broad spectrum applicability to all solutions such as emulsions and suspensions.



P.I.D controller



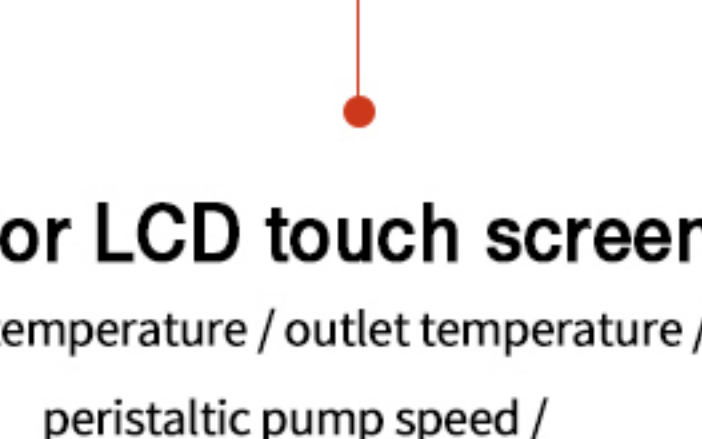
LED Screen



SUS304 Stainless Steel



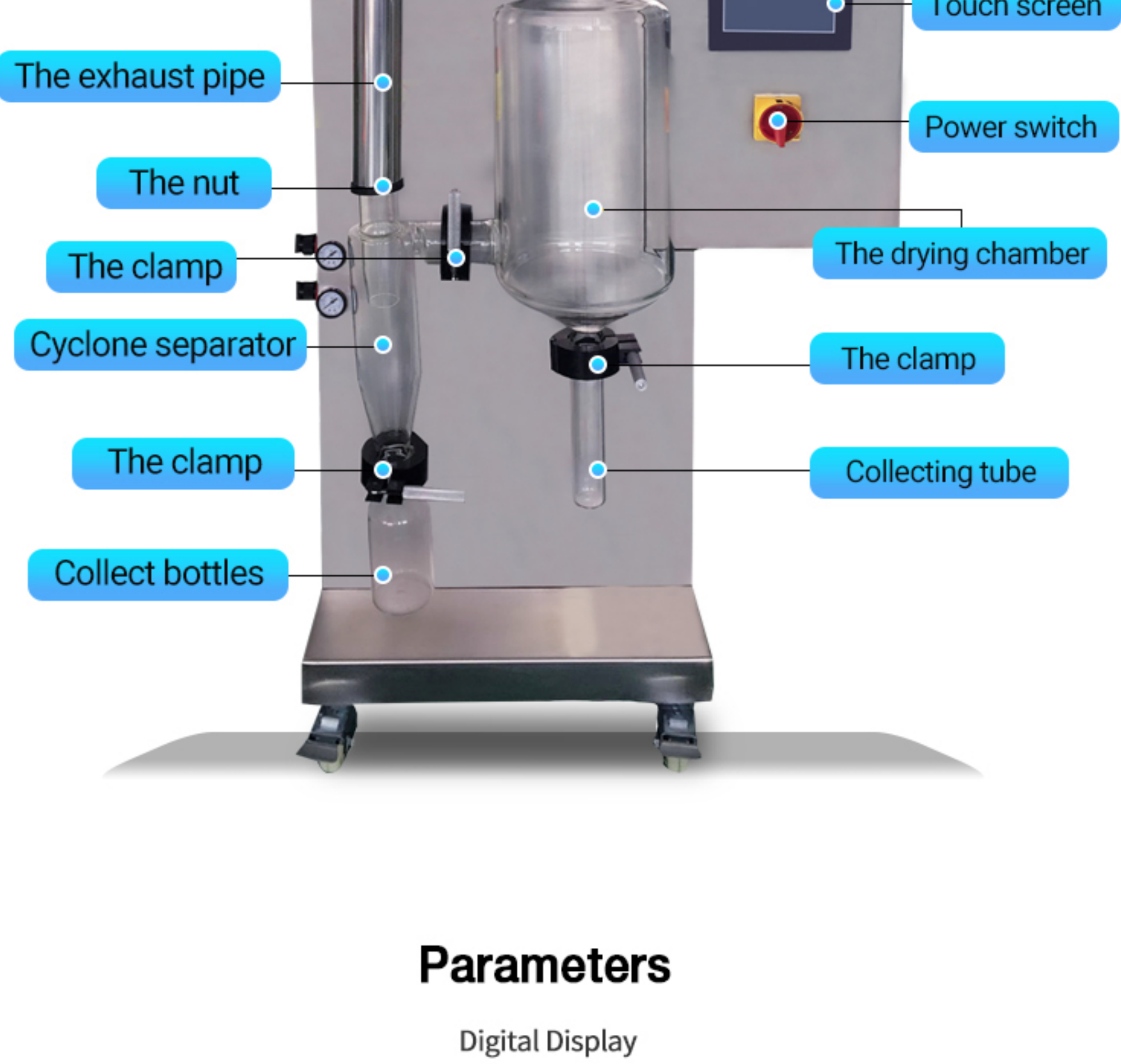
Exquisite sprinker High efficient



### Color LCD touch screen

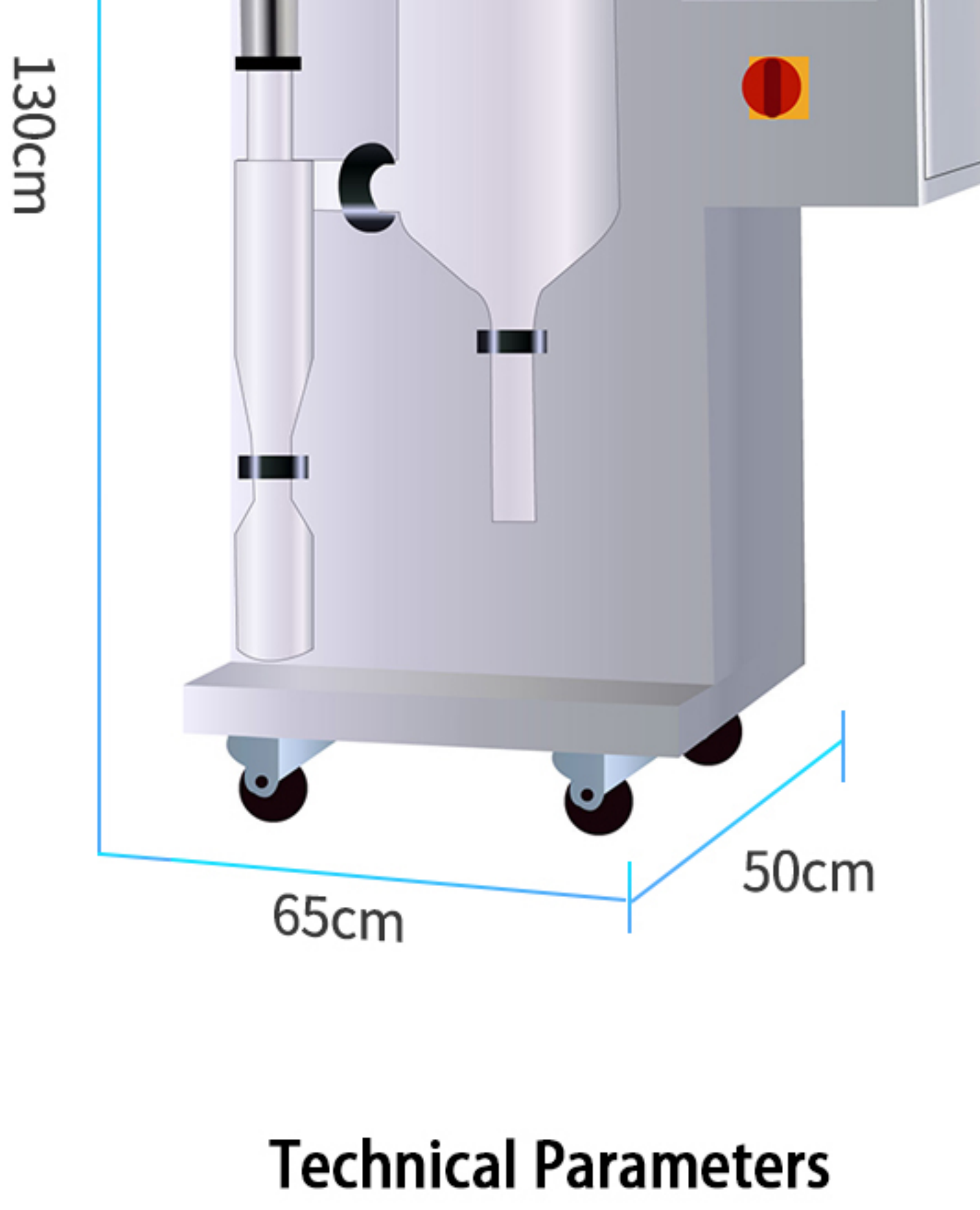
Inlet temperature / outlet temperature / peristaltic pump speed / air volume / pass pin frequency

## FULLY AUTOMATIC CONTROL



## Parameters

Digital Display



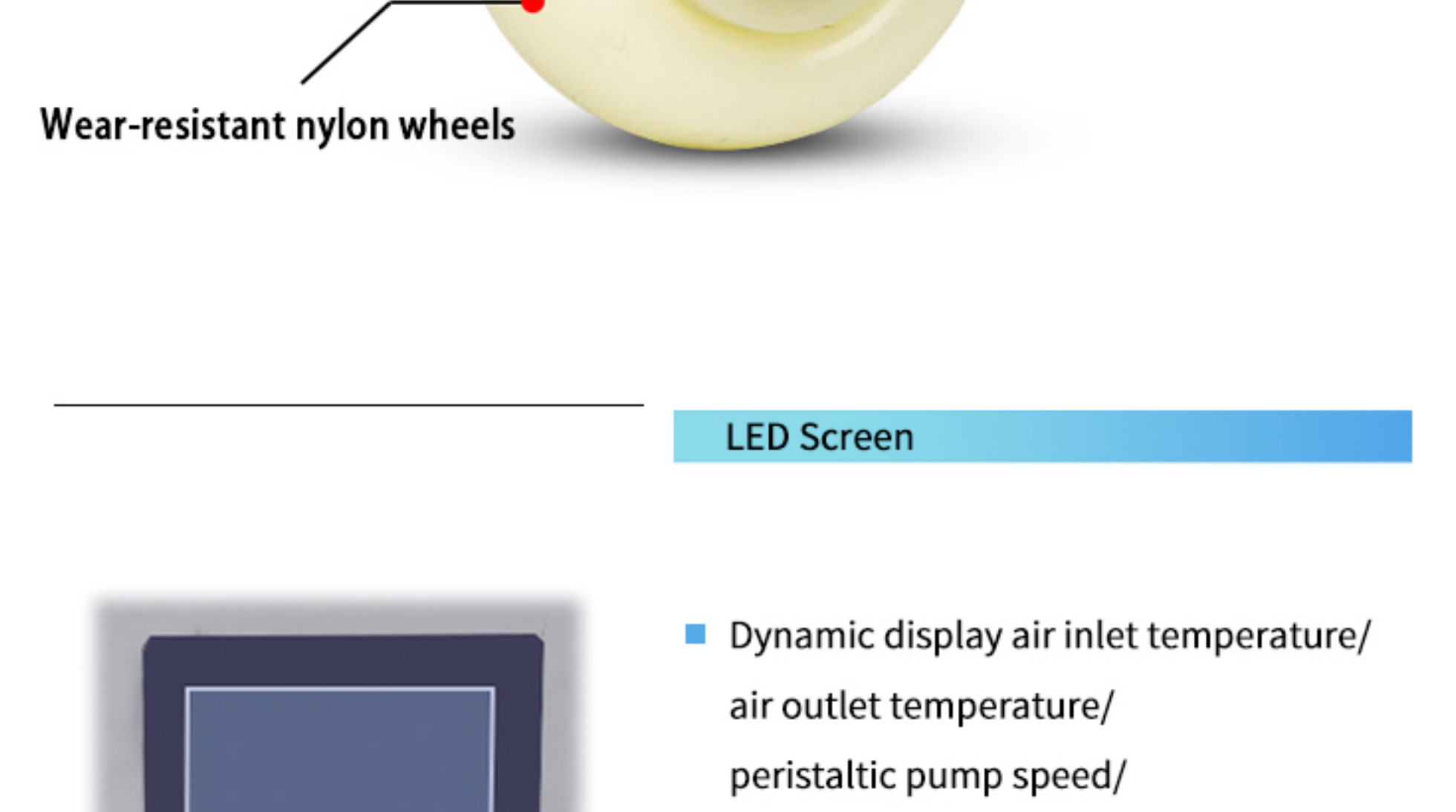
## Technical Parameters

All components of the production process are strictly controlled for the best quality equipment for customers.

Model	KD-SD-2000
Atomization System	Two fluid
Feeding Mode	Peristaltic pump adjustment
Inlet Air Temperature	30°C ~ 300°C
Temperature Control Accuracy	±1°C
Air Temperature	30°C ~ 140°C
Average Drying Time	0.8 ~ 1.5S
Evaporation Water	1500~ 2000ml/ H
Nozzle Diameter	0.5/0.7/0.75/1.0/1.5/2.0 mm
Maximum Feeding Amount	2000ml/h
Power	3KW/220V
Minimum Feeding Amount	50mL
Size	1300×650×500mm

## Nylon Vientiane Wheel

Bearing weight Super wear-resistant 360 degree rotation



### LED Screen

Dynamic display air inlet temperature/ air outlet temperature/ peristaltic pump speed/ air volume/needle frequency.

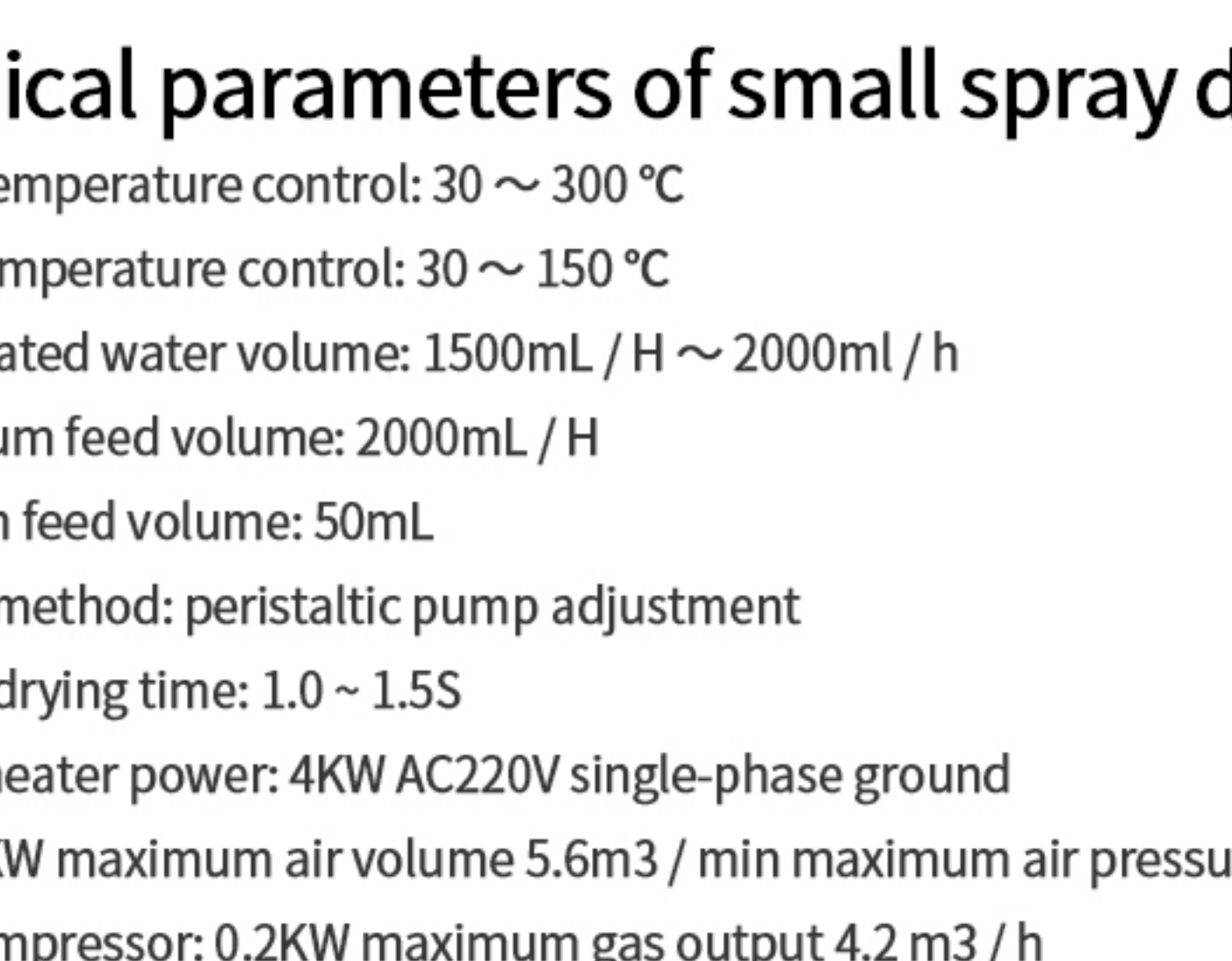
### Borosilicate Glass

The lubricating oil in the high-pressure steam is separated to ensure the safe and efficient operation of the device.

### Reliable Sealing

The tight sealing provides a good sealing environment for the whole working process.

- Special protection function, the fan will not start and the heater will not start.
- Built-in imported oil-free air compressor with noise less than 50db.
- Equipped with air inlet filter to ensure sample purity.
- Dried product has uniform particle size, more than 95% of the dry powder is at the same particle size.



## Technical parameters of small spray dryer

1. Inlet air temperature control: 30 ~ 300 °C
2. Outlet temperature control: 30 ~ 150 °C
3. Evaporated water volume: 1500mL / H ~ 2000ml / h
4. Maximum feed volume: 2000mL / H
5. Minimum feed volume: 50mL
6. Feeding method: peristaltic pump adjustment
7. Average drying time: 1.0 ~ 1.5S
8. Electric heater power: 4KW AC220V single-phase ground
9. Fan: 0.2KW maximum air volume 5.6m<sup>3</sup> / min maximum air pressure 1020Pa
10. Air compressor: 0.2KW maximum gas output 4.2 m<sup>3</sup> / h
11. Working pressure of compressed air: 2 ~ 3Bar
12. Equipment dimensions: 1300mm (height) x 650mm (length) x 800mm (width)
13. Nozzle diameter: 1.00mm
14. Equipment weight: 130KG